

Contents

Part A Page 4
Male Adaptor by Female
BSP Parallel Thread

Part B Page 6
Female Coupler by Male
BSP Tapered Thread

Part C Page 8
Female Coupler with Hose
Tail

Part D Page 10
Female Coupler with
Female BSP Parallel
Thread

Part E Page 12
Male Adaptor with Hose
Tail

Part F Page 14
Male Adaptor with Male
BSP Tapered Thread

Part DC Page 16
Dust Cap

Part DP Page 18
Dust Plug



A



B



C



D



E



F



DC



DP

Camlock Fittings Price List

June 2018

Part A - Male Adaptor by Female BSP Parallel Thread



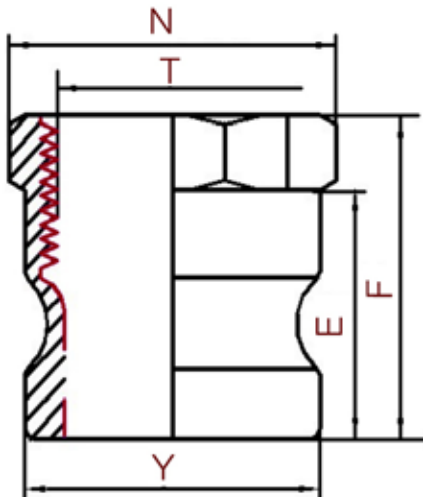
Aluminium



Polypropylene



Stainless Steel



Inch	N	F	E	Y	T
3/4"	32.1	41.4	26.2	32.04	BSP
1"	38.5	49.4	33.1	36.66	BSP
1-1/4"	48.4	55	39.3	45.46	BSP
1-1/2"	57.7	56.4	42.3	53.4	BSP
2"	66.6	62.8	48.2	63.03	BSP
2-1/2"	82.6	71.6	49	75.76	BSP
3"	97	71	51.1	91.48	BSP
4"	125.4	75.3	52.7	119.52	BSP

(mm)

(Measurements are approximate)

	Aluminium	Polypropylene	Stainless Steel
Manufacturing Process	Die Cast	Injection Moulding	Investment Casting
Material Type	Aluminium	Polypropylene *	316 Stainless Steel
Size Range	3/4" to 4"	3/4" to 3"	3/4" to 4"
Maximum Pressure (Bar)	10	4	10

* 20% glass re-inforced

Camlock Fittings Price List

June 2018

Part A - Male Adaptor by Female BSP Parallel Thread

Aluminium

Part Code	Size (in)	Size (mm)	List Price (£)	List Price (€)
075A-AL	3/4"	19mm	£1.28	€ 1.44
100A-AL	1"	25mm	£1.40	€ 1.56
125A-AL	1 1/4"	32mm	£1.61	€ 1.79
150A-AL	1 1/2"	38mm	£2.02	€ 2.26
200A-AL	2"	50mm	£2.42	€ 2.72
250A-AL	2 1/2"	62mm	£4.21	€ 4.72
300A-AL	3"	75mm	£4.27	€ 4.77
400A-AL	4"	100mm	£6.30	€ 7.05

- 10 Bar Pressure Rating
- Nitrile Buna Seal
- Fuel, Water, General Applications

Polypropylene

- 4 Bar Pressure Rating
- Nitrile Buna Seal
- Agricultural, Chemical, Water, General Applications

Part Code	Size (in)	Size (mm)	List Price (£)	List Price (€)
075A-PG	3/4"	19mm	£0.53	€ 0.59
100A-PG	1"	25mm	£0.57	€ 0.64
125A-PG	1 1/4"	32mm	£0.85	€ 0.95
150A-PG	1 1/2"	38mm	£0.87	€ 0.97
200A-PG	2"	50mm	£1.35	€ 1.51
300A-PG	3"	75mm	£2.79	€ 3.13

Stainless Steel

Part Code	Size (in)	Size (mm)	List Price (£)	List Price (€)
075A-SS	3/4"	19mm	£2.29	€ 2.56
100A-SS	1"	25mm	£3.40	€ 3.80
125A-SS	1 1/4"	32mm	£4.74	€ 5.30
150A-SS	1 1/2"	38mm	£6.85	€ 7.66
200A-SS	2"	50mm	£9.31	€ 10.41
250A-SS	2 1/2"	62mm	£15.86	€ 17.75
300A-SS	3"	75mm	£17.91	€ 20.03
400A-SS	4"	100mm	£27.21	€ 30.44

- 10 Bar Pressure Rating
- Nitrile Buna Seal
- Chemical, Salt & Waste Water, General Applications

Camlock Fittings Price List

June 2018

Part B - Female Coupler by Male BSP Tapered Thread



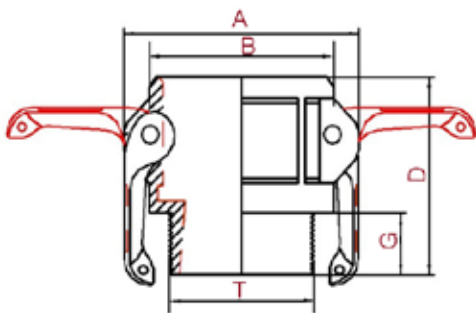
Aluminium



Polypropylene



Stainless Steel



Inch	A	D	G	T
3/4"	61.35	52.75	19.5	BSP
1"	67.7	62	22	BSP
1-1/4"	79.3	66	19.6	BSP
1-1/2"	87.6	71	25.8	BSP
2"	97	76.5	23.8	BSP
2-1/2"	110.2	85.5	30	BSP
3"	131.4	91.5	32.3	BSP
4"	159.5	94.6	36.4	BSP

(mm)

(Measurements are approximate)

	Aluminium	Polypropylene	Stainless Steel
Manufacturing Process	Die Cast	Injection Moulding	Investment Casting
Material Type	Aluminium	Polypropylene *	316 Stainless Steel
Size Range	3/4" to 4"	3/4" to 3"	3/4" to 4"
Maximum Pressure (Bar)	10	4	10

* 20% glass re-inforced

Camlock Fittings Price List

June 2018

Part B - Female Coupler by Male BSP Tapered Thread

Aluminium

Part Code	Size (in)	Size (mm)	List Price (£)	List Price (€)
075B-AL	3/4"	19mm	£2.18	€ 2.44
100B-AL	1"	25mm	£2.88	€ 3.23
125B-AL	1 1/4"	32mm	£4.17	€ 4.67
150B-AL	1 1/2"	38mm	£4.36	€ 4.87
200B-AL	2"	50mm	£5.18	€ 5.79
250B-AL	2 1/2"	62mm	£6.41	€ 7.18
300B-AL	3"	75mm	£8.13	€ 9.10
400B-AL	4"	100mm	£10.68	€ 11.95

- 10 Bar Pressure Rating
- Nitrile Buna Seal
- Fuel, Water, General Applications

Polypropylene

- 4 Bar Pressure Rating
- Nitrile Buna Seal
- Agricultural, Chemical, Water, General Applications

Part Code	Size (in)	Size (mm)	List Price (£)	List Price (€)
075B-PG	3/4"	19mm	£2.82	€ 3.15
100B-PG	1"	25mm	£3.30	€ 3.69
125B-PG	1 1/4"	32mm	£5.16	€ 5.77
150B-PG	1 1/2"	38mm	£5.25	€ 5.87
200B-PG	2"	50mm	£5.80	€ 6.49
300B-PG	3"	75mm	£8.57	€ 9.59

Stainless Steel

Part Code	Size (in)	Size (mm)	List Price (£)	List Price (€)
075B-SS	3/4"	19mm	£4.33	€ 4.86
100B-SS	1"	25mm	£6.27	€ 7.01
125B-SS	1 1/4"	32mm	£7.81	€ 8.73
150B-SS	1 1/2"	38mm	£9.45	€ 10.58
200B-SS	2"	50mm	£12.59	€ 14.08
250B-SS	2 1/2"	62mm	£18.54	€ 20.75
300B-SS	3"	75mm	£22.67	€ 25.36
400B-SS	4"	100mm	£33.04	€ 36.98

- 10 Bar Pressure Rating
- Nitrile Buna Seal
- Chemical, Salt & Waste Water, General Applications

Camlock Fittings Price List

June 2018

Part C - Female Coupler with Hose Tail



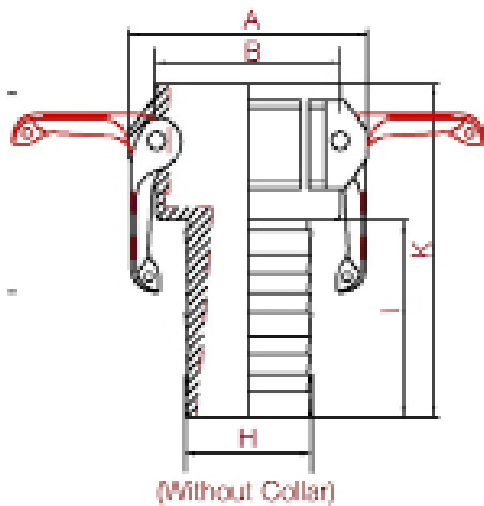
Aluminium



Polypropylene



Stainless Steel



Inch	A	H	I	K
3/4"	61.35	20.5-21	50.2	83.5
1"	67.7	27-27.5	57	97.5
1-1/4"	79.3	33.5-34.5	56.7	103
1-1/2"	87.6	40-41	75.3	122
2"	97	51-52.5	75.9	128.7
2-1/2"	110.2	65.5-66.5	96.2	152.6
3"	131.4	77.5-78.5	99.5	158.8
4"	159.5	103-104	110	170

(mm)

(Measurements are approximate)

	Aluminium	Polypropylene	Stainless Steel
Manufacturing Process	Die Cast	Injection Moulding	Investment Casting
Material Type	Aluminium	Polypropylene *	316 Stainless Steel
Size Range	3/4" to 4"	3/4" to 3"	3/4" to 4"
Maximum Pressure (Bar)	10	4	10

* 20% glass re-inforced

Camlock Fittings Price List

June 2018

Part C - Female Coupler with Hose Tail

Aluminium

Part Code	Size (in)	Size (mm)	List Price (£)	List Price (€)
075C-AL	3/4"	19mm	£2.70	€ 3.03
100C-AL	1"	25mm	£2.92	€ 3.26
125C-AL	1 1/4"	32mm	£4.29	€ 4.79
150C-AL	1 1/2"	38mm	£4.70	€ 5.26
200C-AL	2"	50mm	£5.71	€ 6.38
250C-AL	2 1/2"	62mm	£6.80	€ 7.62
300C-AL	3"	75mm	£9.12	€ 10.21
400C-AL	4"	100mm	£12.38	€ 13.85

- 10 Bar Pressure Rating
- Nitrile Buna Seal
- Fuel, Water, General Applications

Polypropylene

- 4 Bar Pressure Rating
- Nitrile Buna Seal
- Agricultural, Chemical, Water, General Applications

Part Code	Size (in)	Size (mm)	List Price (£)	List Price (€)
075C-PG	3/4"	19mm	£2.92	€ 3.26
100C-PG	1"	25mm	£3.30	€ 3.69
125C-PG	1 1/4"	32mm	£5.16	€ 5.77
150C-PG	1 1/2"	38mm	£5.23	€ 5.85
200C-PG	2"	50mm	£6.26	€ 7.00
300C-PG	3"	75mm	£9.14	€ 10.23

Stainless Steel

Part Code	Size (in)	Size (mm)	List Price (£)	List Price (€)
075C-SS	3/4"	19mm	£4.50	€ 5.04
100C-SS	1"	25mm	£6.11	€ 6.84
125C-SS	1 1/4"	32mm	£9.20	€ 10.30
150C-SS	1 1/2"	38mm	£9.58	€ 10.72
200C-SS	2"	50mm	£14.03	€ 15.70
250C-SS	2 1/2"	62mm	£18.26	€ 20.43
300C-SS	3"	75mm	£26.62	€ 29.78
400C-SS	4"	100mm	£40.25	€ 45.03

- 10 Bar Pressure Rating
- Nitrile Buna Seal
- Chemical, Salt & Waste Water, General Applications

Camlock Fittings Price List

June 2018

Part D - Female Coupler with Female BSP Parallel Thread



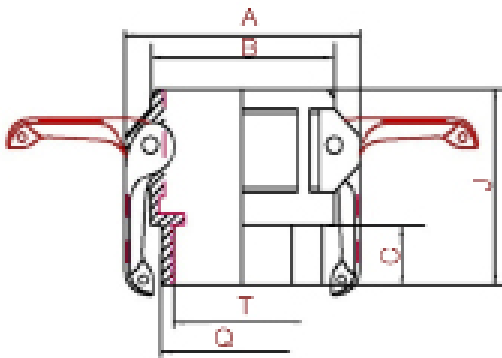
Aluminium



Polypropylene



Stainless Steel



Inch	A	C	J	Q	T
3/4"	61.35	20.2	53.5	32.5	BSP
1"	67.7	19.8	60	38.5	BSP
1-1/4"	79.3	24.4	70.5	48.5	BSP
1-1/2"	87.6	26	72.8	56.5	BSP
2"	97	23.5	76	66	BSP
2-1/2"	110.2	28.8	84.4	82.2	BSP
3"	131.4	32.8	93.1	96.8	BSP
4"	159.5	36	95	126	BSP

(mm)

(Measurements are approximate)

Aluminium

Polypropylene

Stainless Steel

Manufacturing Process

Die Cast

Injection Moulding

Investment Casting

Material Type

Aluminium

Polypropylene *

316 Stainless Steel

Size Range

3/4" to 4"

3/4" to 3"

3/4" to 4"

Maximum Pressure (Bar)

10

4

10

* 20% glass re-inforced

Camlock Fittings Price List

June 2018

Part D - Female Coupler with Female BSP Parallel Thread

Aluminium

Part Code	Size (in)	Size (mm)	List Price (£)	List Price (€)
075D-AL	3/4"	19mm	£2.31	€ 2.59
100D-AL	1"	25mm	£2.84	€ 3.18
125D-AL	1 1/4"	32mm	£4.42	€ 4.95
150D-AL	1 1/2"	38mm	£4.65	€ 5.21
200D-AL	2"	50mm	£5.41	€ 6.05
250D-AL	2 1/2"	62mm	£6.60	€ 7.38
300D-AL	3"	75mm	£8.80	€ 9.85
400D-AL	4"	100mm	£11.82	€ 13.23

- 10 Bar Pressure Rating
- Nitrile Buna Seal
- Fuel, Water, General Applications

Polypropylene

- 4 Bar Pressure Rating
- Nitrile Buna Seal
- Agricultural, Chemical, Water, General Applications

Part Code	Size (in)	Size (mm)	List Price (£)	List Price (€)
075D-PG	3/4"	19mm	£2.92	€ 3.26
100D-PG	1"	25mm	£3.30	€ 3.69
125D-PG	1 1/4"	32mm	£5.18	€ 5.79
150D-PG	1 1/2"	38mm	£5.23	€ 5.85
200D-PG	2"	50mm	£6.28	€ 7.03
300D-PG	3"	75mm	£8.57	€ 9.59

Stainless Steel

Part Code	Size (in)	Size (mm)	List Price (£)	List Price (€)
075D-SS	3/4"	19mm	£4.32	€ 4.84
100D-SS	1"	25mm	£6.46	€ 7.22
125D-SS	1 1/4"	32mm	£7.93	€ 8.87
150D-SS	1 1/2"	38mm	£9.28	€ 10.39
200D-SS	2"	50mm	£12.73	€ 14.25
250D-SS	2 1/2"	62mm	£19.49	€ 21.81
300D-SS	3"	75mm	£23.33	€ 26.10
400D-SS	4"	100mm	£36.32	€ 40.64

- 10 Bar Pressure Rating
- Nitrile Buna Seal
- Chemical, Salt & Waste Water, General Applications

Camlock Fittings Price List

June 2018

Part E - Male Adaptor with Hose Tail



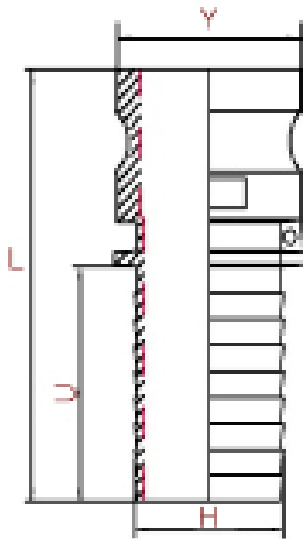
Aluminium



Polypropylene



Stainless Steel



Inch	H	L	U	Y
3/4"	20.5-21	88.2	50.7	32.04
1"	27-27.5	101.5	55.2	36.66
1-1/4"	33.5-34.5	105	55.2	45.46
1-1/2"	40-41	129.2	76.1	53.4
2"	51-52.5	136.3	75.5	63.03
2-1/2"	65.5-66.5	158.2	92.9	75.76
3"	77.5-78.5	166.4	99.4	91.48
4"	103-104	177.1	108.5	119.52

(mm)

(Measurements are approximate)

	Aluminium	Polypropylene	Stainless Steel
Manufacturing Process	Die Cast	Injection Moulding	Investment Casting
Material Type	Aluminium	Polypropylene *	316 Stainless Steel
Size Range	3/4" to 4"	3/4" to 3"	3/4" to 4"
Maximum Pressure (Bar)	10	4	10

* 20% glass re-inforced

Camlock Fittings Price List

June 2018

Part E - Male Adaptor with Hose Tail

Aluminium

Part Code	Size (in)	Size (mm)	List Price (£)	List Price (€)
075E-AL	3/4"	19mm	£1.24	€ 1.38
100E-AL	1"	25mm	£1.61	€ 1.79
125E-AL	1 1/4"	32mm	£2.18	€ 2.44
150E-AL	1 1/2"	38mm	£2.55	€ 2.85
200E-AL	2"	50mm	£3.60	€ 4.03
250E-AL	2 1/2"	62mm	£4.77	€ 5.33
300E-AL	3"	75mm	£6.39	€ 7.15
400E-AL	4"	100mm	£9.70	€ 10.85

- 10 Bar Pressure Rating
- Nitrile Buna Seal
- Fuel, Water, General Applications

Polypropylene

- 4 Bar Pressure Rating
- Nitrile Buna Seal
- Agricultural, Chemical, Water, General Applications

Part Code	Size (in)	Size (mm)	List Price (£)	List Price (€)
075E-PG	3/4"	19mm	£0.48	€ 0.54
100E-PG	1"	25mm	£0.57	€ 0.64
125E-PG	1 1/4"	32mm	£0.87	€ 0.97
150E-PG	1 1/2"	38mm	£0.94	€ 1.05
200E-PG	2"	50mm	£1.77	€ 1.97
300E-PG	3"	75mm	£3.23	€ 3.62

Stainless Steel

Part Code	Size (in)	Size (mm)	List Price (£)	List Price (€)
075E-SS	3/4"	19mm	£2.49	€ 2.78
100E-SS	1"	25mm	£3.83	€ 4.29
125E-SS	1 1/4"	32mm	£5.52	€ 6.17
150E-SS	1 1/2"	38mm	£6.89	€ 7.71
200E-SS	2"	50mm	£11.83	€ 13.24
250E-SS	2 1/2"	62mm	£14.96	€ 16.74
300E-SS	3"	75mm	£22.93	€ 25.66
400E-SS	4"	100mm	£38.56	€ 43.15

- 10 Bar Pressure Rating
- Nitrile Buna Seal
- Chemical, Salt & Waste Water, General Applications

Camlock Fittings Price List

June 2018

Part F - Male Adaptor with Male BSP Tapered Thread



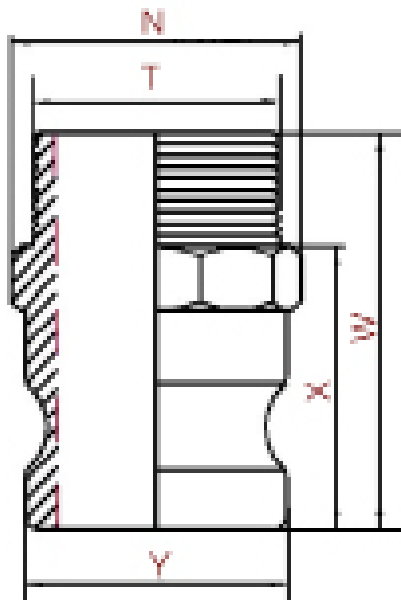
Aluminium



Polypropylene



Stainless Steel



Inch	N	W	X	Y	T
3/4"	32.1	61.5	42.1	32.04	BSP
1"	38.5	71.1	51.3	36.66	BSP
1-1/4"	48.4	81	55.2	45.46	BSP
1-1/2"	57.7	78.4	56.5	53.4	BSP
2"	66.6	87	62.4	63.03	BSP
2-1/2"	82.96	97	68	75.76	BSP
3"	97	103.4	72	91.48	BSP
4"	125.4	115	78.6	119.52	BSP

(mm)

(Measurements are approximate)

	Aluminium	Polypropylene	Stainless Steel
Manufacturing Process	Die Cast	Injection Moulding	Investment Casting
Material Type	Aluminium	Polypropylene *	316 Stainless Steel
Size Range	3/4" to 4"	3/4" to 3"	3/4" to 4"
Maximum Pressure (Bar)	10	4	10

* 20% glass re-inforced

Camlock Fittings Price List

June 2018

Part F - Male Adaptor with Male BSP Tapered Thread

Aluminium

Part Code	Size (in)	Size (mm)	List Price (£)	List Price (€)
075F-AL	3/4"	19mm	£1.37	€ 1.54
100F-AL	1"	25mm	£1.70	€ 1.90
125F-AL	1 1/4"	32mm	£2.18	€ 2.44
150F-AL	1 1/2"	38mm	£2.40	€ 2.69
200F-AL	2"	50mm	£3.27	€ 3.67
250F-AL	2 1/2"	62mm	£4.75	€ 5.31
300F-AL	3"	75mm	£6.17	€ 6.90
400F-AL	4"	100mm	£9.92	€ 11.10

- 10 Bar Pressure Rating
- Nitrile Buna Seal
- Fuel, Water, General Applications

Polypropylene

Part Code	Size (in)	Size (mm)	List Price (£)	List Price (€)
075F-PG	3/4"	19mm	£0.48	€ 0.54
100F-PG	1"	25mm	£0.57	€ 0.64
125F-PG	1 1/4"	32mm	£0.87	€ 0.97
150F-PG	1 1/2"	38mm	£0.94	€ 1.05
200F-PG	2"	50mm	£1.72	€ 1.92
300F-PG	3"	75mm	£3.23	€ 3.62

- 4 Bar Pressure Rating
- Nitrile Buna Seal
- Agricultural, Chemical, Water, General Applications

Stainless Steel

Part Code	Size (in)	Size (mm)	List Price (£)	List Price (€)
075F-SS	3/4"	19mm	£2.45	€ 2.74
100F-SS	1"	25mm	£3.70	€ 4.14
125F-SS	1 1/4"	32mm	£5.35	€ 5.99
150F-SS	1 1/2"	38mm	£7.31	€ 8.17
200F-SS	2"	50mm	£10.39	€ 11.62
250F-SS	2 1/2"	62mm	£14.32	€ 16.03
300F-SS	3"	75mm	£20.98	€ 23.48
400F-SS	4"	100mm	£32.04	€ 35.85

- 10 Bar Pressure Rating
- Nitrile Buna Seal
- Chemical, Salt & Waste Water, General Applications

Camlock Fittings Price List

June 2018

Part DC - Dust Cap



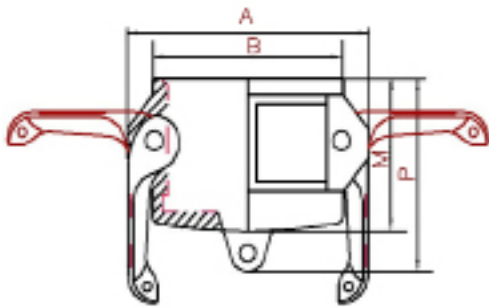
Aluminium



Polypropylene



Stainless Steel



Inch	A	M	P
3/4"	61.35	35.75	45.75
1"	67.7	42	57
1-1/4"	79.3	49.3	63.7
1-1/2"	87.6	48	66
2"	97	54.8	70.5
2-1/2"	110.2	58	73
3"	131.4	62.5	77.5
4"	159.5	64	84.5

(mm)

(Measurements are approximate)

	Aluminium	Polypropylene	Stainless Steel
Manufacturing Process	Die Cast	Injection Moulding	Investment Casting
Material Type	Aluminium	Polypropylene *	316 Stainless Steel
Size Range	3/4" to 4"	3/4" to 3"	3/4" to 4"
Maximum Pressure (Bar)	10	4	10

* 20% glass re-inforced

Camlock Fittings Price List

June 2018

Part DC - Dust Cap

Aluminium

Part Code	Size (in)	Size (mm)	List Price (£)	List Price (€)
075DC-AL	3/4"	19mm	£2.02	€ 2.26
100DC-AL	1"	25mm	£2.59	€ 2.90
125DC-AL	1 1/4"	32mm	£3.81	€ 4.26
150DC-AL	1 1/2"	38mm	£4.06	€ 4.54
200DC-AL	2"	50mm	£4.84	€ 5.41
250DC-AL	2 1/2"	62mm	£5.41	€ 6.05
300DC-AL	3"	75mm	£7.08	€ 7.92
400DC-AL	4"	100mm	£9.33	€ 10.44

- 10 Bar Pressure Rating
- Nitrile Buna Seal
- Fuel, Water, General Applications

Polypropylene

- 4 Bar Pressure Rating
- Nitrile Buna Seal
- Agricultural, Chemical, Water, General Applications

Part Code	Size (in)	Size (mm)	List Price (£)	List Price (€)
075DC-PG	3/4"	19mm	£2.70	€ 3.03
100DC-PG	1"	25mm	£3.30	€ 3.69
125DC-PG	1 1/4"	32mm	POA	POA
150DC-PG	1 1/2"	38mm	£5.21	€ 5.82
200DC-PG	2"	50mm	£5.80	€ 6.49
300DC-PG	3"	75mm	£8.50	€ 9.51

Stainless Steel

Part Code	Size (in)	Size (mm)	List Price (£)	List Price (€)
075DC-SS	3/4"	19mm	£4.04	€ 4.52
100DC-SS	1"	25mm	£5.54	€ 6.20
125DC-SS	1 1/4"	32mm	£7.14	€ 7.99
150DC-SS	1 1/2"	38mm	£8.04	€ 9.00
200DC-SS	2"	50mm	£10.79	€ 12.08
250DC-SS	2 1/2"	62mm	£15.18	€ 16.99
300DC-SS	3"	75mm	£18.15	€ 20.31
400DC-SS	4"	100mm	£27.93	€ 31.25

- 10 Bar Pressure Rating
- Nitrile Buna Seal
- Chemical, Salt & Waste Water, General Applications

Camlock Fittings Price List

June 2018

Part DP - Dust Plug



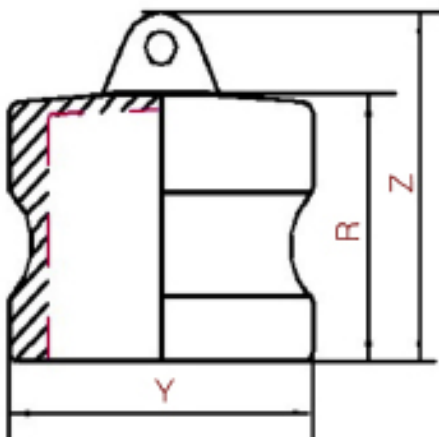
Aluminium



Polypropylene



Stainless Steel



Inch	R	Y	Z
3/4"	28.5	32.04	38.5
1"	37.3	36.66	52.3
1-1/4"	42.5	45.46	57.5
1-1/2"	44.5	53.4	58
2"	50.5	63.03	65.5
2-1/2"	52.5	75.76	67.5
3"	54.5	91.48	69.5

(mm)

(Measurements are approximate)

	Aluminium	Polypropylene	Stainless Steel
Manufacturing Process	Die Cast	Injection Moulding	Investment Casting
Material Type	Aluminium	Polypropylene *	316 Stainless Steel
Size Range	3/4" to 4"	3/4" to 3"	3/4" to 4"
Maximum Pressure (Bar)	10	4	10

* 20% glass re-inforced

Camlock Fittings Price List

June 2018

Part DP - Dust Plug

Aluminium

Part Code	Size (in)	Size (mm)	List Price (£)	List Price (€)
075DP-AL	3/4"	19mm	£0.94	€ 1.05
100DP-AL	1"	25mm	£1.24	€ 1.38
125DP-AL	1 1/4"	32mm	£1.46	€ 1.64
150DP-AL	1 1/2"	38mm	£1.63	€ 1.82
200DP-AL	2"	50mm	£2.13	€ 2.38
250DP-AL	2 1/2"	62mm	£3.05	€ 3.41
300DP-AL	3"	75mm	£3.62	€ 4.05
400DP-AL	4"	100mm	£5.36	€ 6.00

- 10 Bar Pressure Rating
- Nitrile Buna Seal
- Fuel, Water, General Applications

Polypropylene

- 4 Bar Pressure Rating
- Nitrile Buna Seal
- Agricultural, Chemical, Water, General Applications

Part Code	Size (in)	Size (mm)	List Price (£)	List Price (€)
075DP-PG	3/4"	19mm	£0.53	€ 0.59
100DP-PG	1"	25mm	£0.59	€ 0.67
125DP-PG	1 1/4"	32mm	POA	POA
150DP-PG	1 1/2"	38mm	£1.03	€ 1.15
200DP-PG	2"	50mm	£1.31	€ 1.46
300DP-PG	3"	75mm	£2.36	€ 2.64

Stainless Steel

Part Code	Size (in)	Size (mm)	List Price (£)	List Price (€)
075DP-SS	3/4"	19mm	£1.69	€ 1.89
100DP-SS	1"	25mm	£2.29	€ 2.56
125DP-SS	1 1/4"	32mm	£3.51	€ 3.93
150DP-SS	1 1/2"	38mm	£4.66	€ 5.22
200DP-SS	2"	50mm	£7.22	€ 8.07
250DP-SS	2 1/2"	62mm	£9.26	€ 10.36
300DP-SS	3"	75mm	£12.47	€ 13.95
400DP-SS	4"	100mm	£21.63	€ 24.20

- 10 Bar Pressure Rating
- Nitrile Buna Seal
- Chemical, Salt & Waste Water, General Applications